

**Surface Mount, 3-Electrode Gas Discharge Tube  
B3G5LS-S HV Series**
**Descriptions 产品描述**

The Gas Discharge Tube (GDT) operates as a symmetrical voltage-dependent switch. Features as very high surge current handling capability, very high insulation resistance and ultra-low capacitance meet almost perfectly all requirements made on a protective element.

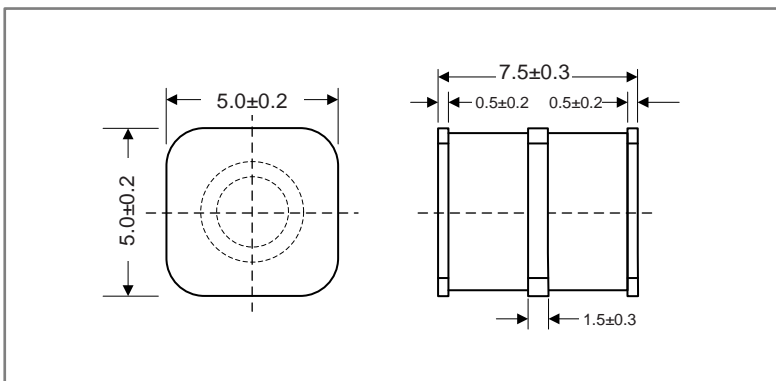
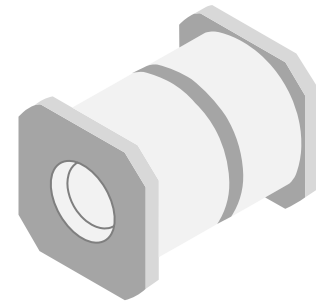
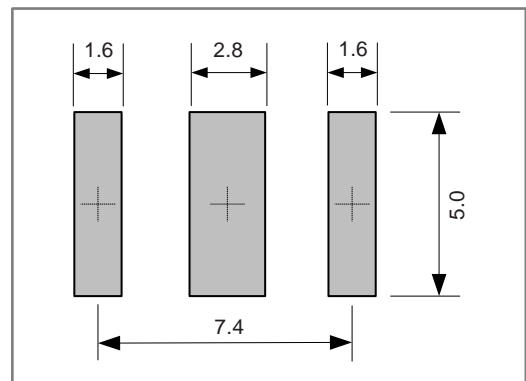
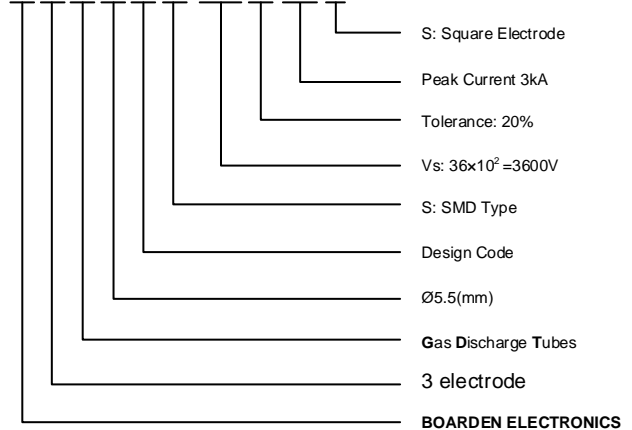
The B3G5LS-S HV Series are 3-pole GDTs designed for protection of power lines. Low insertion loss is also perfectly suited to broadband equipment applications.

**Features 产品特征**

- 3-electrode arrester
- Very small size
- Rugged Ceramic-Metal construction
- Stable performance over life
- Extremely low capacitance ( $\leq 0.8\text{pF}$ )
- High insulation resistance

**Applications 产品应用**

- PCI cards
- Modem
- Splitter
- Line cards
- Applications with limited space

**Product Dimensions (mm) 产品尺寸**
**Dimension**

**Recommended Pad Size**

**Part Numbering System 型号说明**
**B 3 G 5 LS-362M-E3S**

**Order information 包装信息**

Device	Qualities	Size
B3G5LS-S HV Series	1000/R	13 Inch

**Electrical Characteristics (TA=25°C unless otherwise noted) 电参数**

型号 Part Number	直流击穿电压 V <sub>s</sub> <sup>1),2)</sup> @100V/s	冲击击穿电压 V <sub>SS</sub>		辉光电压 Glow Voltage @10mA	冲击耐受等级 IMDC		交流放电 电流 ACDC @50Hz 1s 5 times	绝缘电阻 IR <sup>3)</sup>		
		100V/μs	1kV/μs		8/20μs ±5 times	8/20μs 1 time				
		Max.	Max.		Typ.	Nom.			Max.	Nom.
		V	V		V	kA			kA	A
B3G5LS-102M-E5S	1000±20%	1350	1500	160	5	10	5	1		
B3G5LS-122M-E5S	1200±20%	1550	1800	160	5	10	5	1		
B3G5LS-152M-E5S	1500±20%	1950	2100	160	5	10	5	1		
B3G5LS-182M-E5S	1800±20%	2300	2500	160	5	10	5	1		
B3G5LS-202M-E3S	2000±20%	2600	2800	260	3	5	3	1		
B3G5LS-252M-E3S	2500±20%	3200	3400	260	3	5	3	1		
B3G5LS-272M-E3S	2700±20%	3400	3600	260	3	5	3	1		
B3G5LS-302M-E3S	3000±20%	3900	4100	260	3	5	3	1		
B3G5LS-362M-E3S	3600±20%	4400	4700	260	3	5	3	1		
B3G5LS-402M-E2S	4000±20%	5000	5400	260	2	5	2	1		
B3G5LS-452M-E2S	4500±20%	5600	6100	260	2	5	2	1		
B3G5LS-502M-E2S	5000±20%	6300	6800	260	2	5	2	1		
电容 Capacitance@1MHz.....					≤0.8pF					
弧光电压@1A Arc voltage at 1A.....					15~35V					
辉光至弧光转变电流 Glow to Arc transition current.....					~0.3A					
重量 Weight.....					~0.8g					
操作和存储温度 Operation and storage temperature.....					-40 ~ +125°C					
气候等级 Climatic category (IEC 60068-1).....					40/125/21					
印字 Marking.....					□ L xxx yy xxx -Nominal voltage; yy -Production year					

1) At delivery AQL 0.65 level II, DIN ISO 2859

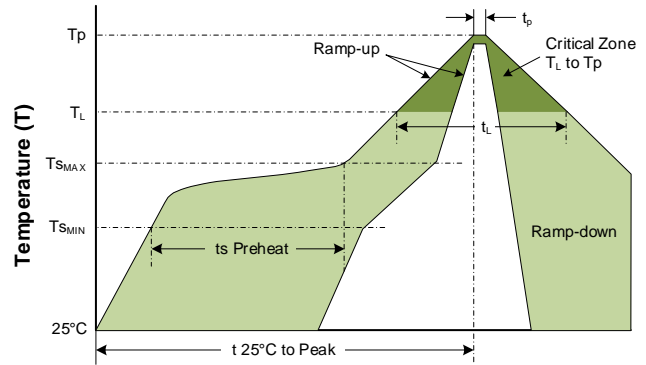
2) In ionized mode

3) Insulation resistance measuring voltage at 100Vdc

Terms in accordance with ITU-T Rec.K.12, IEC 61643-311, GB/T 9043

**Soldering Parameters 焊接参数**

Profile Feature	Lead-Free Assembly
Average Ramp-up Rate ( $T_{S_{MAX}}$ to $T_p$ ) Average Ramp-down Rate ( $T_p$ to $T_L$ )	3°C/second max. 6°C/second max.
<b>Preheat</b> • Temperature Min ( $T_{S_{MIN}}$ ) • Temperature Max ( $T_{S_{MAX}}$ ) • Time ( $t_s$ Preheat)	150°C 200°C 60-180 seconds
<b>Time maintained above:</b> • Temperature ( $T_L$ ) • Time ( $t_L$ )	217°C 60-150 seconds
<b>Peak/Classification Temperature</b> • Temperature ( $T_p$ )	260 <sup>+0/-5</sup> °C
<b>Time within 5°C of actual Peak</b> Time ( $t_p$ )	20-40 seconds
<b>Time 25°C to peak Temperature</b>	8 minutes max
<b>Do not exceed</b>	280 °C


**Flow/Wave Soldering (Solder Dipping)**

<b>Peak Temperature :</b>	265 °C
<b>Dipping Time :</b>	10 seconds
<b>Soldering :</b>	1 time

**Cautions and warnings 注意事项和警告**

- Gas Discharge Tubes must not be operated directly in power supply networks.  
气体放电管不能直接并联电源线路间。
- Gas Discharge Tubes may become hot in case of longer periods of current stress (danger of burning).  
气体放电管长时间在电流应力 (燃烧危险) 的情况下可能会变热。
- Gas Discharge Tubes may be used only within their specified values. In case of overload, the head contacts may fail or the component may be destroyed.  
气体放电管只能在规定值内使用, 如果过载, 头部触点可能会失效或组件可能会被破坏。
- Damaged Gas Discharge Tubes must not be re-used.  
损坏的气体放电管不可重复使用。

© Boarden Electronics Ltd.

Specifications are subject to change without notice.

Website: [www.boarden.com.cn](http://www.boarden.com.cn)

Tel: 86-21-61401058

Fax: 86-21-61730538