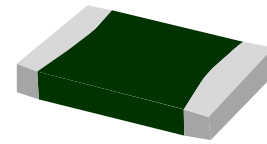


Fast Acting SMD Fuses 0603BC-G Series

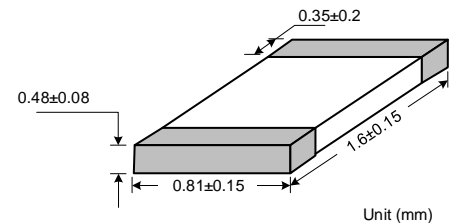
Descriptions

0603BC-G Series are the fuses set the industry standard for performance, reliability and quality. The solder-free design provides excellent on-off and temperature cycling characteristics during use and also makes our SMD fuses more heat and shock tolerant than typical subminiature fuses.



Top View (0603BC)

Product Dimensions

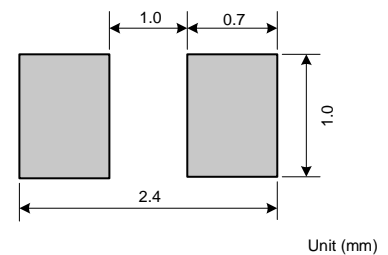


Electrical Characteristics		
Rated Current	1.0In	2.0In
250mA~8A	4 hour min.	60 sec max.

Features

- AEC-Q200 Automotive Grade Certified
- Compatible with reflow and wave solder
- Excellent environmental integrity
- One time positive disconnect
- Lead Free and Halogen free material

Recommended land pattern



Electrical information (Tamb=25°C)

Part No.	Rated Voltage	Rated Current	Breaking Capacity	Typical Cold. Resistance	Typical Voltage Drop	Typical Pre-Arcing I ² t	Alpha Mark
	DC (V)	(A) ¹	(A)	(mOhms) ²	(mV)	(A ² Sec) ³	
0603BC32-0025G	32V	0.250	50A	3250	893	0.00042	D
0603BC32-0037G	32V	0.375	50A	1800	587	0.00093	E
0603BC32-0050G	32V	0.500	50A	1070	582	0.001	F
0603BC32-0075G	32V	0.750	50A	470	427	0.009	G
0603BC32-0100G	32V	1	50A	250	335	0.0095	B
0603BC32-0150G	32V	1.5	50A	150	270	0.04	H
0603BC32-0200G	32V	2	50A	78	160	0.11	K
0603BC32-0250G	32V	2.5	50A	49	145	0.135	L
0603BC32-0300G	32V	3	50A	35	130	0.21	O
0603BC32-0350G	32V	3.5	50A	28	130	0.45	R

Part No.	Rated Voltage	Rated Current	Breaking Capacity	Typical Cold Resistance	Typical Voltage Drop	Typical Pre-Arcing I ² t	Alpha Mark
	DC (V)	(A) ¹	(A)	(mOhms) ²	(mV)	(A ² Sec) ³	
0603BC32-0400G	32V	4	50A	18	120	0.56	S
0603BC32-0500G	32V	5	50A	14	110	1.2	T
0603BC32-0600G	32V	6	50A	11	110	1.7	V**
0603BC32-0700G	32V	7	50A	9.5	80	2.3	X**
0603BC32-0800G	32V	8	50A	7.0	75	3.0	Z**

1. DC Interrupting Rating (Measured at rated voltage, time constant of less than 50 microseconds, battery source)

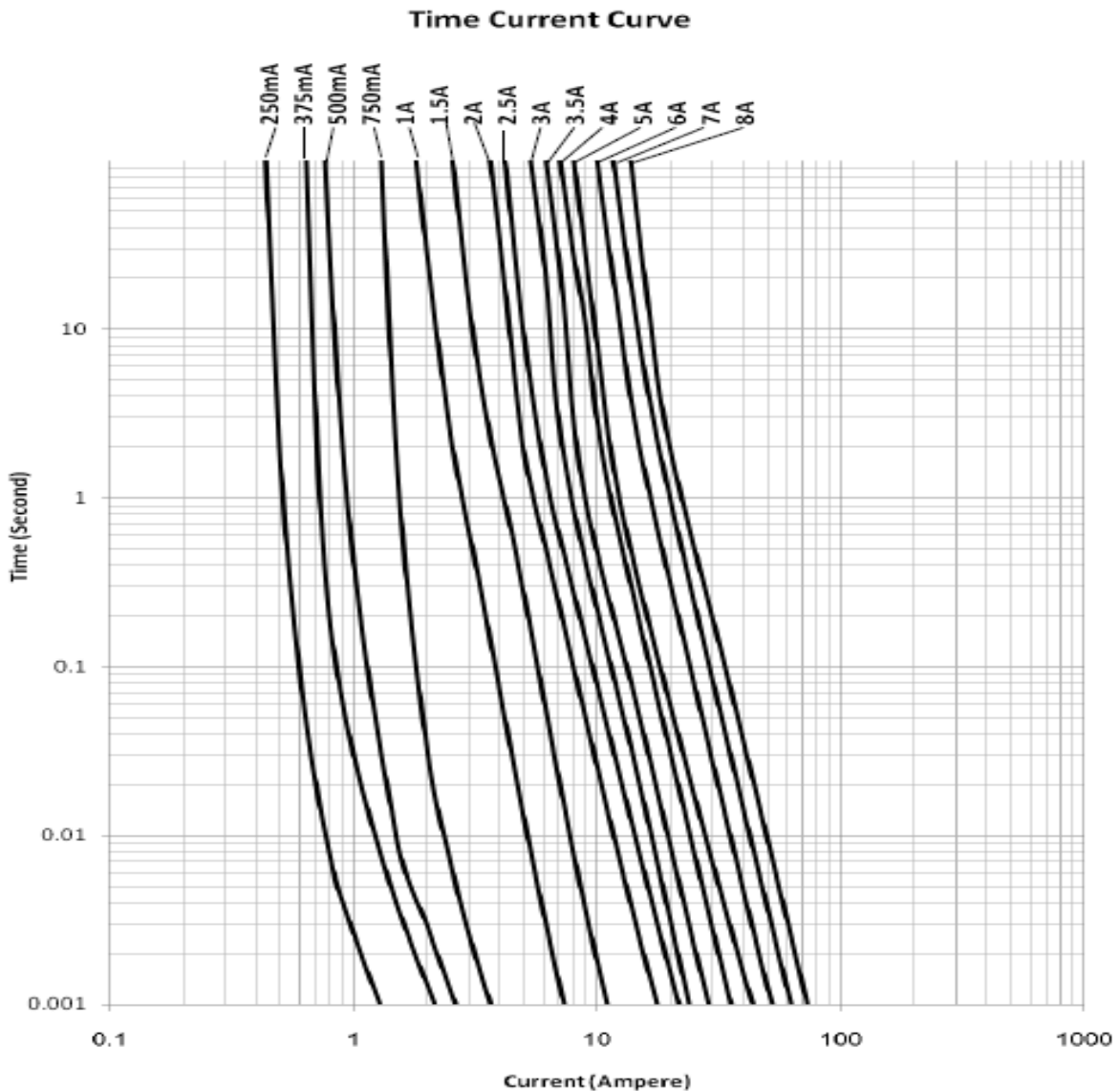
2. DC Cold Resistance are measured at <10% of rated current in ambient temperature of 25degrees

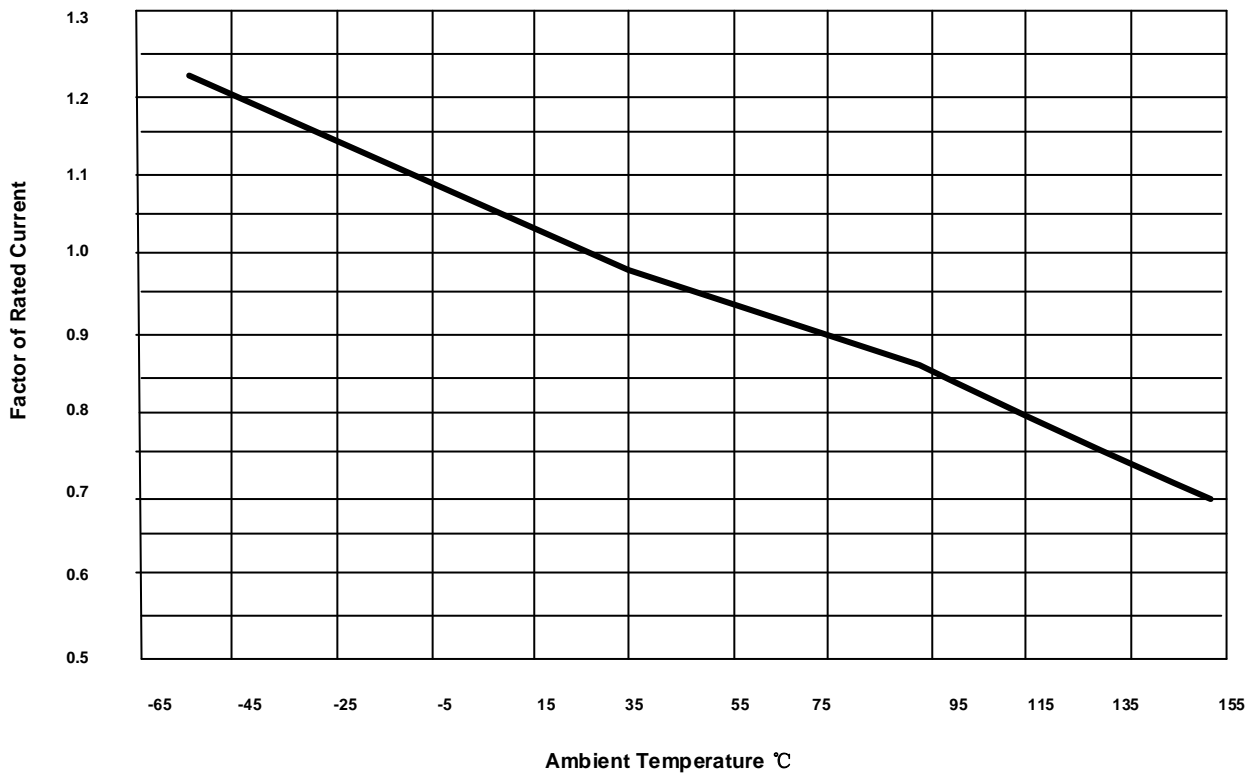
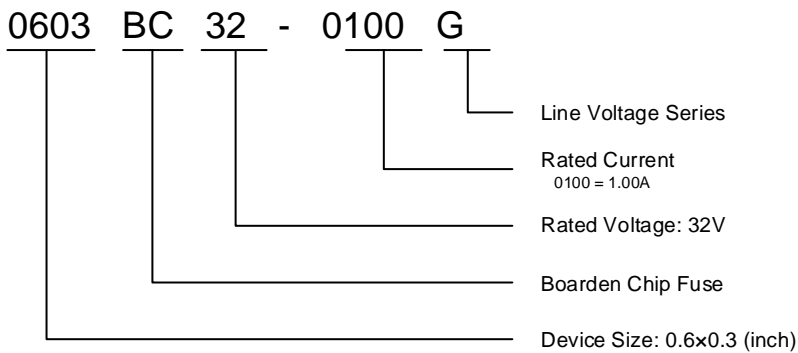
3. Typical Pre-arcing I²t are measured at 10I_n Current

** For 1A-5A, the color of glass coating is Green; for others, it's Blue.

Specifications are subject to change without notice. Application testing is strongly recommended.

Time-Current Curves



Temperature Derating Curve

Part Numbering System

Order Information

Device	Quantity	Reel Size
0603BC-G Series	5000 pcs	7 Inch (178.0mm)

Soldering Parameters

Profile Feature	Lead-Free Assembly
Average Ramp-up Rate (T _S MAX to T _p) Average Ramp-down Rate (T _p to T _L)	3°C/second max. 6°C/second max.
Preheat • Temperature Min (T _S MIN) • Temperature Max (T _S MAX) • Time (t _s Preheat)	150°C 200°C 60-180 seconds
Time maintained above: • Temperature (T _L) • Time (t _L)	217°C 60-150 seconds
Peak/Classification Temperature • Temperature (T _p)	260 ^{+0/-5} °C
Time within 5°C of actual Peak Time (t _p)	20-40 seconds
Time 25°C to peak Temperature	8 minutes max
Do not exceed	280 °C

